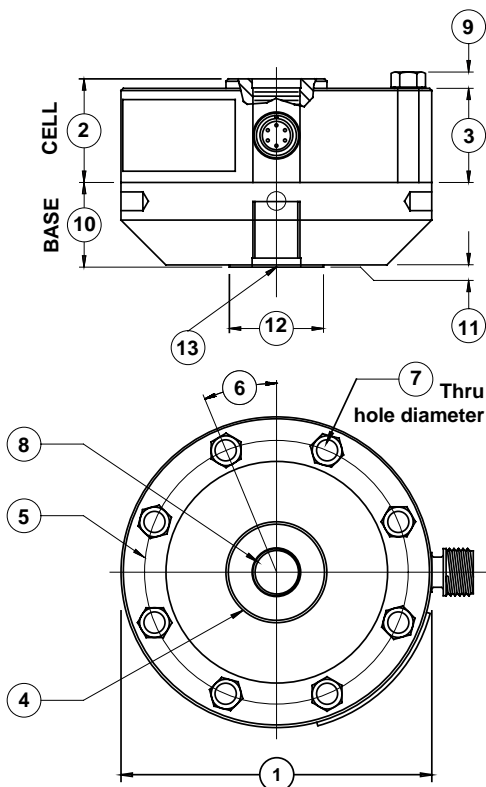


## Model 1000 Fatigue Rated Series Universal

Why INTERFACE 1000 series load cells are the best in class:

- 100 million fully reversed cycles
- Accuracy to 0.03%
- Eccentric load compensated\*
- Low deflection
- .0008%/°F temp effect on output\*
- Barometric compensation
- Shunt calibration
- Tension and compression



		<b>DIMENSIONS</b>							
See Drawing	MODEL	1010		1020		1032		1040	
		CAPACITY (lbf)							
		250, 500 1K, 2.5K, 5K		12.5K, 25K		50K		100K	
		inch	mm	inch	mm	inch	mm	inch	mm
①		4.13	104.8	6.06	153.9	8.00	203.2	11.0	279
②		1.38	34.9	1.75	44.5	2.50	63.5	3.50	88.9
③		1.25	31.7	1.63	41.4	2.25	57.2	3.00	76.2
④		1.34	34.0	2.65	67.3	3.76	95.2	4.81	122.2
⑤		3.50	88.9	5.13	130.3	6.50	165.1	900	229
⑥		22.5°	22.5°	15.0°	15.0°	11.25°	11.25°	11.25°	11.25°
⑦		0.28	7.10	0.41	10.4	0.53	13.5	0.65	16.8
⑦		8 places		12 places		16 places		16 places	
⑧		5/8-18 UNF-3B		1 1/4-12 UNF-3B		1 3/4-12 UNF-3B		2 3/4-8 UNF-3B	
⑧		1.12 in. deep		1.40 in. deep		2.15 in. deep		3.25 in. deep	
⑨		0.20	5.10	0.30	7.60	0.40	10.2	0.50	12.7
⑩		1.13	28.6	1.75	44.5	2.00	50.8	3.00	76.2
⑪		0.03	0.80	0.03	0.80	0.03	0.80	0.03	0.80
⑫		1.25	31.8	2.25	57.2	3.00	76.2	4.50	114
⑬		5/8-18 UNF-3B		1 1/4-12 UNF-3B		1 3/4-12 UNF-3B		2 3/4-8 UNF-3B	
⑬		0.87 in. deep		1.40 in. deep		1.75 in. deep		2.75 in. deep	

# Model 1000 Fatigue Rated Series Universal

## SPECIFICATIONS

PARAMETERS	MODEL				
	1010	1010	1020	1032	1040
	CAPACITY (lbf)				
	250, 500, 1K	2.5K, 5K	12.5K, 25K	50K	100K
<b>ACCURACY – (MAX ERROR)</b>					
Static Error Band-% FS	± 0.03	± 0.04	± 0.05	± 0.05	± 0.06
Nonlinearity-% FS	± 0.04	± 0.04	± 0.05	± 0.05	± 0.06
Hysteresis-% FS	± 0.03	± 0.04	± 0.05	± 0.05	± 0.06
Nonrepeatability-% RO	± 0.02	± 0.02	± 0.02	± 0.02	± 0.02
Creep, in 20 min-%	± 0.025	± 0.025	± 0.025	± 0.025	± 0.025
Side Load Sensitivity-%	± 0.1	± 0.1	± 0.1	± 0.1	± 0.1
Eccentric Load Sensitivity-%/in	± 0.1	± 0.1	± 0.1	± 0.1	± 0.1
<b>TEMPERATURE</b>					
Compensated Range-°F	15 to 115	15 to 115	15 to 115	15 to 115	15 to 115
Compensated Range-°C	-10 to 45	-10 to 45	-10 to 45	-10 to 45	-10 to 45
Operating Range-°F	-65 to 200	-65 to 200	-65 to 200	-65 to 200	-65 to 200
Operating Range-°C	-55 to 90	-55 to 90	-55 to 90	-55 to 90	-55 to 90
Effect on Zero-%RO/F – MAX	± 0.0008	± 0.0008	± 0.0008	± 0.0008	± 0.0008
Effect on Output-%/F – MAX	± 0.0008	± 0.0008	± 0.0008	± 0.0008	± 0.0008
<b>ELECTRICAL</b>					
Rated Output-mV/V (Nominal)	1.0	2.0	2.0	2.0	2.0
Excitation Voltage-VDC MAX	20	20	20	20	20
Bridge Resistance-Ohm (Nominal)	350	350	350	350	350
Zero Balance-% RO	± 1.0	± 1.0	± 1.0	± 1.0	± 1.0
Insulation Resistance-Megohm	5000	5000	5000	5000	5000
<b>MECHANICAL</b>					
Safe Overload-% CAP	± 300	± 300	± 300	± 300	± 300
Deflection @ RO-inch	0.0005	0.001	0.001	0.002	0.003
Optional Base-P/N	B101	B102	B103	B112	B105
Natural Frequency-kHz	5.0, 6.9, 9.8	6.6, 9.4	6.5, 7.0	5.8	4.9
Weight-lb	1.5	3.3	9.5	26	68
Connector	PC04E-10-6P	PC04E-10-6P	PC04E-10-6P	PC04E-10-6P	PC04E-10-6P
Calibration	T & C	T & C	T & C	T & C	T & C

## OPTIONS\*

Base (recommended)  
Integral 10 ft cable  
Multiple bridge  
Standardized output

## ACCESSORIES\*

Mating connector  
Instrumentation  
Loading hardware



Shown with base

\* Please call for additional information