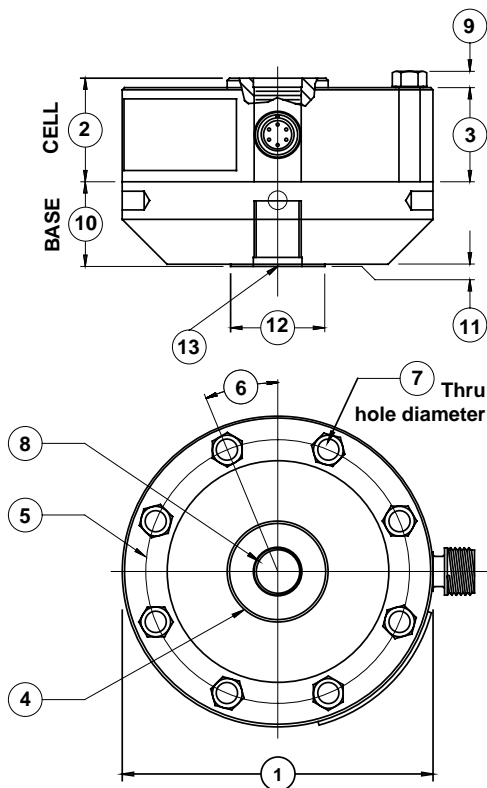


Model 1100 Ultra Precision Series Universal

Why INTERFACE 1100 series load cells are the best in class:

- Accuracy to .02%
- High output – to 4mV/V
- Eccentric load compensated*
- Low deflection
- .0008%/°F temp effect on output*
- Shunt calibration
- High precision base included
- Barometric compensation
- Tension and compression



DIMENSIONS

See Drawing	MODEL							
	1110		1120		1132		1140	
	CAPACITY (lbf)							
	300, 500, 1K, 2K, 5K, 10K		25K, 50K		100K		200K	
	inch	mm	inch	mm	inch	mm	inch	mm
①	4.13	104.8	6.06	153.9	8.00	203.2	11.0	279
②	1.38	34.9	1.75	44.5	2.50	63.5	3.50	88.9
③	1.25	31.7	1.63	41.4	2.25	57.2	3.00	76.2
④	1.34	34.0	2.65	67.3	3.76	95.2	4.81	122.2
⑤	3.50	88.9	5.13	130.3	6.50	165.1	9.00	229
⑥	22.5°	22.5°	15.0°	15°	11.25°	11.25°	11.25°	11.25°
⑦	0.28	7.10	0.41	10.4	0.53	13.5	0.65	16.8
⑧	5/8-18 UNF-3B		1 1/4-12 UNF-3B		1 3/4-12 UNF-3B		2 3/4-8 UNF-3B	
⑧	1.12 in deep		1.40 in deep		2.15 in deep		3.25 in deep	
⑨	0.20	5.10	0.30	7.60	0.40	10.2	0.50	12.7
⑩	1.13	28.6	1.75	44.5	2.00	50.8	3.00	76.2
⑪	0.03	0.80	0.03	0.80	0.03	0.80	0.03	0.80
⑫	1.25	31.8	2.25	57.2	3.00	76.2	4.50	114
⑬	5/8-18 UNF-3B		1 1/4-12 UNF-3B		1 3/4-12 UNF-3B		2 3/4-8 UNF-3B	
⑬	0.87 in deep		1.40 in deep		1.75 in deep		2.75 in deep	

Model 1100 Ultra Precision Series Universal

SPECIFICATIONS

PARAMETERS	1110	1110	MODEL 1120	1132	1140
	300, 500, 1K, 2K	5K, 10K	CAPACITY (lbf) 25K, 50K		
			100K	200K	
ACCURACY- (MAX ERROR)					
Static Error Band-% FS	± 0.02	± 0.03	± 0.04	± 0.05	± 0.06
Nonlinearity-% FS	± 0.03	± 0.04	± 0.05	± 0.05	± 0.06
Hysteresis-% FS	± 0.02	± 0.04	± 0.05	± 0.05	± 0.06
Nonrepeatability-% RO	± 0.01	± 0.01	± 0.01	± 0.01	± 0.01
Creep, in 20 min.-%	± 0.025	± 0.025	± 0.025	± 0.025	± 0.025
Side Load Sensitivity-%	± 0.1	± 0.1	± 0.1	± 0.1	± 0.1
Eccentric Load Sensitivity-%/in	± 0.1	± 0.1	± 0.1	± 0.1	± 0.1
TEMPERATURE					
Compensated Range-°F	15 to 115	15 to 115	15 to 115	15 to 115	15 to 115
Compensated Range-°C	-10 to 45	-10 to 45	-10 to 45	-10 to 45	-10 to 45
Operating Range-°F	-65 to 200	-65 to 200	-65 to 200	-65 to 200	-65 to 200
Operating Range-°C	-55 to 90	-55 to 90	-55 to 90	-55 to 90	-55 to 90
Effect on Zero-%RO/°F - MAX	± 0.0004	± 0.0004	± 0.0004	± 0.0004	± 0.0004
Effect on Output-%/°F - MAX	± 0.0008	± 0.0008	± 0.0008	± 0.0008	± 0.0008
ELECTRICAL					
Rated Output-mV/V (Nominal)	2.0	4.0	4.0	4.0	4.0
Excitation Voltage-VDC MAX	10	10	10	10	10
Bridge Resistance-Ohm (Nominal)	350	350	350	350	350
Zero Balance-% RO	± 1.0	± 1.0	± 1.0	± 1.0	± 1.0
Insulation Resistance-Megohm	5000	5000	5000	5000	5000
MECHANICAL					
Safe Overload-% CAP	± 150	± 150	± 150	± 150	± 150
Deflection @ RO-inch	0.002	0.004	0.004	0.006	0.012
Base Part Number (Ref)	B101	B102	B103	B112	B105
Natural Frequency-kHz	2.7, 3.5, 4.9, 7.0	4.7, 6.6	4.6, 5.0	4.0	3.5
Weight-lb	3.3	7.3	21.5	52	146
Connector	PC04E-10-6P	PC04E-10-6P	PC04E-10-6P	PC04E-10-6P	PC04E-10-6P
Calibration	T & C	T & C	T & C	T & C	T & C

OPTIONS*

Compression overload protection
Integral 10 ft cable
Multiple bridge
Standardized output

ACCESSORIES*

Mating connector
Instrumentation
Loading hardware



* Please call for additional information