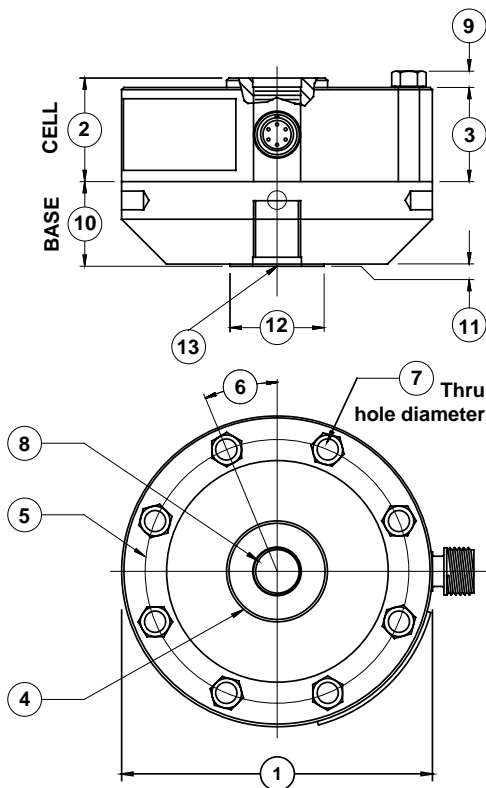


Model 1100 Ultra Precision Series Universal Metric

Why INTERFACE 1100 series load cells are the best in class:

- Accuracy to .02%
- High output – to 4mV/V
- Eccentric load compensated*
- Low deflection
- .0015/°C % temp effect on output*
- Shunt calibration
- High precision base included
- Barometric compensation
- Tension and compression



DIMENSIONS					
See Drawing	MODEL				
	1110	1110	1120	1132	1140
	CAPACITY (kN)				
	1.5, 2.5, 5, 10	25, 50	100, 250	450	900
	mm	mm	mm	mm	mm
①	104.8	104.8	153.9	203.2	279
②	34.9	34.9	44.5	63.5	88.9
③	31.7	31.7	41.4	57.2	76.2
④	34.0	34.0	67.3	95.5	122.2
⑤	88.9	88.9	130.3	165.1	229
⑥	22.5°	22.5°	15.0°	11.25°	11.25°
⑦	7.10	7.10	10.4	13.5	16.8
⑧	M16 X 2-4H	M16 X 2-4H	M33 X 2-4H	M42 X 2-4H	M72 X 2-4H
⑧	28.4 deep	28.4 deep	35.6 deep	54.6 deep	82.6 deep
⑨	5.10	5.10	7.60	10.2	12.7
⑩	28.6	28.6	44.5	50.8	76.2
⑪	0.80	0.80	0.80	0.80	0.80
⑫	31.8	31.8	57.2	76.2	114
⑬	M16 X 2-4H	M16 X 2-4H	M33 X 2-4H	M42 X 2-4H	M72 X 2-4H
⑬	22.1 deep	22.1 deep	35.6 deep	44.5 deep	69.8 deep

Model 1100 Ultra Precision Series Universal Metric

SPECIFICATIONS

PARAMETERS	MODEL				
	1110	1110	1120	1132	1140
	1.5, 2.5, 5, 10	25, 50	CAPACITY (kN) 100, 250		450
ACCURACY – (MAX ERROR)					
Static Error Band–% FS	± 0.02	± 0.03	± 0.04	± 0.05	± 0.06
Nonlinearity–% FS	± 0.03	± 0.04	± 0.05	± 0.05	± 0.06
Hysteresis–% FS	± 0.02	± 0.04	± 0.05	± 0.05	± 0.06
Nonrepeatability–% RO	± 0.01	± 0.01	± 0.01	± 0.01	± 0.01
Creep, in 20 min.–%	± 0.025	± 0.025	± 0.025	± 0.025	± 0.025
Side Load Sensitivity–%	± 0.1	± 0.1	± 0.1	± 0.1	± 0.1
Eccentric Load Sensitivity–%/in	± 0.1	± 0.1	± 0.1	± 0.1	± 0.1
TEMPERATURE					
Compensated Range–F	15 to 115	15 to 115	15 to 115	15 to 115	15 to 115
Compensated Range–C	-10 to 45	-10 to 45	-10 to 45	-10 to 45	-10 to 45
Operating Range–F	-65 to 200	-65 to 200	-65 to 200	-65 to 200	-65 to 200
Operating Range–C	-55 to 90	-55 to 90	-55 to 90	-55 to 90	-55 to 90
Effect on Zero–%RO/C – MAX	± 0.0007	± 0.0007	± 0.0007	± 0.0007	± 0.0007
Effect on Output–%/C – MAX	± 0.0015	± 0.0015	± 0.0015	± 0.0015	± 0.0015
ELECTRICAL					
Rated Output–mV/V (Nominal)	2.0	4.0	4.0	4.0	4.0
Excitation Voltage–VDC MAX	20	20	20	20	20
Bridge Resistance–Ohm (Nominal)	350	350	350	350	350
Zero Balance–% RO	± 1.0	± 1.0	± 1.0	± 1.0	± 1.0
Insulation Resistance–Megohm	5000	5000	5000	5000	5000
MECHANICAL					
Safe Overload–% CAP	± 150	± 150	± 150	± 150	± 150
Deflection @ RO–inch	0.05	0.10	0.10	0.15	0.20
Base Part Number (Ref)	B101M	B102M	B103M	B112M	B105M
Natural Frequency–kHz	2.7, 3.5, 4.9, 7.0	4.7, 6.6	4.6, 5.0	4.0	3.5
Weight–lb (kg)	3.3 (1.5)	7.3 (3.3)	21.5 (9.8)	52 (24)	146 (66)
Connector	PC04E-10-6P	PC04E-10-6P	PC04E-10-6P	PC04E-10-6P	PC04E-10-6P
Calibration	T & C	T & C	T & C	T & C	T & C

OPTIONS*

Compression overload protection
Integral 10 ft cable
Multiple bridge
Standardized output

ACCESSORIES*

Mating connector
Instrumentation
Loading hardware

* Please call for additional information