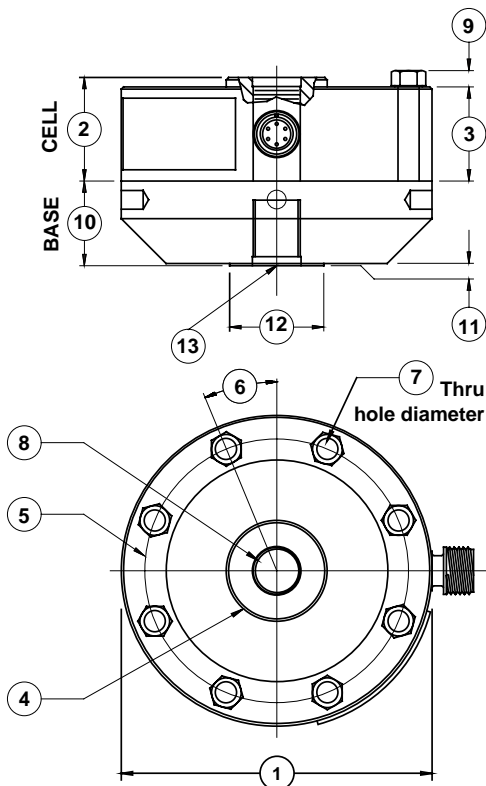


## Model 1200 Precision Series Universal

Why INTERFACE 1200 series load cells are the best in class:

- Accuracy to .04%
- High output – to 4 mV/V
- Eccentric Load compensated\*
- .0008%/°F temp effect on output
- Low deflection
- Shunt calibration
- Barometric compensation
- Tension and compression
- Compact size



See Drawing	MODEL							
	1210		1220		1232		1240	
	300, 500, 1K, 2K,		CAPACITY (lbf)		100K		200K	
	inch	mm	inch	mm	inch	mm	inch	mm
①	4.13	104.8	6.06	153.9	8.00	203.2	11.0	297
②	1.38	34.9	1.75	44.5	2.50	63.5	3.50	89.0
③	1.25	31.7	1.63	41.4	2.25	57.2	3.00	76.0
④	1.34	34.0	2.65	67.3	3.76	95.2	4.81	122.2
⑤	3.50	88.9	5.13	130.3	6.50	165.1	9.00	229
⑥	22.5	22.5	15.0	15.0	11.25	11.25	11.25	11.25
⑦	0.28	7.10	0.41	10.4	0.53	13.5	0.65	16.8
⑦	8 places		12 places		16 places		16 places	
⑧	5/8-18 UNF-3B		1 1/4-12 UNF-3B		1 3/4-12 UNF-3B		2 3/4-8 UNF-3B	
⑧	1.12 in deep		1.40 in deep		2.15 in deep		3.25 in deep	
⑨	0.20	5.10	0.30	7.60	0.40	10.2	0.50	12.7
⑩	1.13	28.6	1.75	44.5	2.00	50.8	3.00	0.80
⑪	0.03	0.80	0.03	0.80	0.03	0.80	0.03	0.80
⑫	1.25	31.8	2.25	57.2	3.00	76.2	4.50	144
⑬	5/8-18 UNF-3B		1 1/4-12 UNF-3B		1 3/4-12 UNF-3B		2 3/4-8 UNF-3B	
⑬	0.87 in deep		1.40 in deep		1.75 in deep		2.75 in deep	

# Model 1200 Precision Series Universal

## SPECIFICATIONS

PARAMETERS	MODEL				
	1210	1210	1220	1232	1240
	300, 500, 1K, 2K	5K, 10K	CAPACITY (lbf) 25K, 50K		200K
<b>ACCURACY – (MAX ERROR)</b>					
Static Error Band-% FS	± 0.04	± 0.05	± 0.05	± 0.06	± 0.07
Nonlinearity-% FS	± 0.04	± 0.05	± 0.05	± 0.06	± 0.07
Hysteresis-% FS	± 0.03	± 0.05	± 0.05	± 0.06	± 0.07
Nonrepeatability-% RO	± 0.01	± 0.01	± 0.01	± 0.01	± 0.01
Creep, in 20 min-%	± 0.025	± 0.025	± 0.025	± 0.025	± 0.025
Side Load Sensitivity-%	± 0.25	± 0.25	± 0.25	± 0.25	± 0.25
Eccentric Load Sensitivity-%/in	± 0.25	± 0.25	± 0.25	± 0.25	± 0.25
<b>TEMPERATURE</b>					
Compensated Range-°F	15 to 115	15 to 115	15 to 115	15 to 115	15 to 115
Compensated Range-°C	-10 to 45	-10 to 45	-10 to 45	-10 to 45	-10 to 45
Operating Range-°F	-65 to 200	-65 to 200	-65 to 200	-65 to 200	-65 to 200
Operating Range-°C	-55 to 90	-55 to 90	-55 to 90	-55 to 90	-55 to 90
Effect on Zero-%RO/°F – MAX	± 0.0008	± 0.0008	± 0.0008	± 0.0008	± 0.0008
Effect on Output-%/°F – MAX	± 0.0008	± 0.0008	± 0.0008	± 0.0008	± 0.0008
<b>ELECTRICAL</b>					
Rated Output-mV/V (Nominal)	2.0	4.0	4.0	4.0	4.0
Nominal Excitation Voltage-VDC	10	10	10	10	10
Bridge Resistance-Ohm (Nominal)	350	350	350	350	350
Zero Balance-% RO	± 1.0	± 1.0	± 1.0	± 1.0	± 1.0
Insulation Resistance-Megohm	5000	5000	5000	5000	5000
<b>MECHANICAL</b>					
Safe Overload-% CAP	± 150	± 150	± 150	± 150	± 150
Deflection @ RO-inch	0.001	0.002	0.002	0.003	0.004
Optional Base-P/N	B101	B102	B103	B112	B105
Natural Frequency-kHz	3.9, 5.0, 6.9, 9.8	6.6, 9.4	6.5, 7.0	5.8	4.9
Weight-lb	1.5	3.3	9.5	26	68
Connector	PC04E-10-6P	PC04E-10-6P	PC04E-10-6P	PC04E-10-6P	PC04E-10-6P
Calibration	T & C	T & C	T & C	T & C	T & C

## OPTIONS\*

Base (recommended)  
 Compression overload protection  
 Integral 10 ft cable  
 Multiple bridge  
 Standardized output

## ACCESSORIES\*

Mating connector  
 Instrumentation  
 Loading hardware



Shown with base

\* Please call for additional information