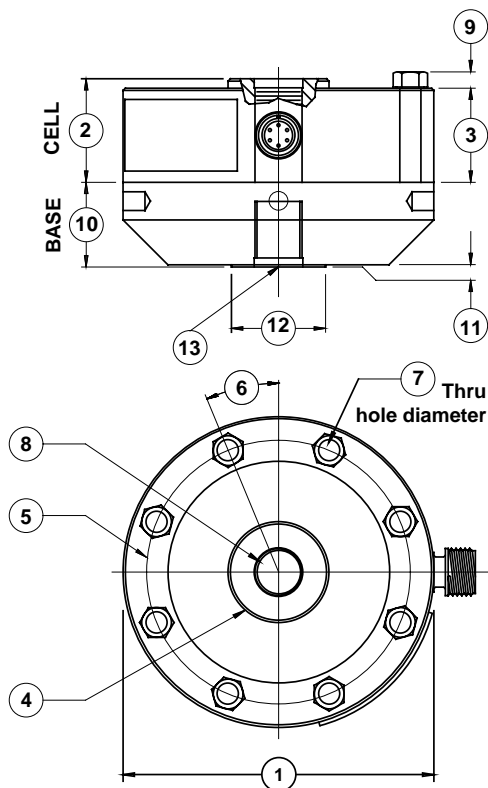


Model 1200 Precision Series Universal Metric

Why INTERFACE 1200 series load cells are the best in class:

- Accuracy to .04%
- High output – to 4 mV/V
- Eccentric load compensated*
- .0015%/°C temp effect on output*
- Low deflection
- Shunt calibration
- Barometric compensation
- Tension and compression
- Compact size



DIMENSIONS

See Drawing	MODEL			
	1210	1220	1232	1240
	CAPACITY (kN)			
	1.5, 2.5, 5, 10, 25, 50	100, 250	450	900
	mm	mm	mm	mm
①	104.8	153.9	203.2	279.0
②	34.9	44.5	63.5	88.9
③	31.7	41.4	57.2	76.2
④	34.0	67.3	95.2	122.2
⑤	88.9	130.3	165.1	229.0
⑥	22.5	15.0	11.25	11.25
⑦	7.10	10.4	13.5	16.8
⑦	8 places	12 places	16 places	16 places
⑧	M16 X 2-4H	M33 X 2-4H	M42 X 2-4H	M72 X 2-4H
⑧	28.4 deep	35.6 deep	54.6 deep	82.6 deep
⑨	5.10	7.60	10.2	12.7
⑩	28.6	44.5	50.8	76.2
⑪	0.80	0.80	0.80	0.80
⑫	31.8	57.2	76.2	114.0
⑬	M16 X 2-4H	M33 X 2-4H	M42 X 2-4H	M72 X 2-4H
⑬	22.1 deep	35.6 deep	44.5 deep	69.8 deep

Model 1200 Precision Series Universal Metric

SPECIFICATIONS

PARAMETERS	MODEL				
	1210	1210	1220	1232	1240
	CAPACITY (kN)				
	1.5, 2.5, 5, 10	25, 50	100, 250	450	900
ACCURACY – (MAX ERROR)					
Static Error Band-% FS	± 0.04	± 0.05	± 0.05	± 0.06	± 0.07
Nonlinearity-% FS	± 0.04	± 0.05	± 0.05	± 0.06	± 0.07
Hysteresis-% FS	± 0.03	± 0.05	± 0.05	± 0.06	± 0.07
Nonrepeatability-% RO	± 0.01	± 0.01	± 0.01	± 0.01	± 0.01
Creep, in 20 min.-%	± 0.025	± 0.025	± 0.025	± 0.025	± 0.025
Side Load Sensitivity-%	± 0.25	± 0.25	± 0.25	± 0.25	± 0.25
Eccentric Load Sensitivity-%/in	± 0.25	± 0.25	± 0.25	± 0.25	± 0.25
TEMPERATURE					
Compensated Range-°F	15 to 115	15 to 115	15 to 115	15 to 115	15 to 115
Compensated Range-°C	-10 to 45	-10 to 45	-10 to 45	-10 to 45	-10 to 45
Operating Range-°F	-65 to 200	-65 to 200	-65 to 200	-65 to 200	-65 to 200
Operating Range-°C	-55 to 90	-55 to 90	-55 to 90	-55 to 90	-55 to 90
Effect on Zero-%RO/°C – MAX	± 0.0015	± 0.0015	± 0.0015	± 0.0015	± 0.0015
Effect on Output-%/°C – MAX	± 0.0015	± 0.0015	± 0.0015	± 0.0015	± 0.0015
ELECTRICAL					
Rated Output-mV/V (Nominal)	2.00	4.00	4.00	4.00	4.00
Nominal Excitation Voltage-VDC	10	10	10	10	10
Bridge Resistance-Ohm (Nominal)	350	350	350	350	350
Zero Balance-% RO	± 1.0	± 1.0	± 1.0	± 1.0	± 1.0
Insulation Resistance-Megohm	5000	5000	5000	5000	5000
MECHANICAL					
Safe Overload-% CAP	± 150	± 150	± 150	± 150	± 150
Deflection @ RO-mm	0.03	0.05	0.05	0.08	0.10
Optional Base-P/N	B101M	B102M	B106M	B104M	B108M
Natural Frequency-kHz	3.9, 5.0, 6.9, 9.8	6.6, 9.4	6.5, 7.0	5.8	4.9
Weight-lb (kg)	1.5 (0.7)	3.3 (1.5)	9.5 (4.3)	26 (11.8)	68 (30.9)
Connector	PC04E-10-6P	PC04E-10-6P	PC04E-10-6P	PC04E-10-6P	PC04E-10-6P
Calibration	T & C	T & C	T & C	T & C	T & C

OPTIONS*

Base (recommended)
 Compression overload protection
 Integral 10 ft cable
 Multiple bridge
 Standardized output

ACCESSORIES*

Mating connector
 Instrumentation
 Loading hardware



Shown with base

* Please call for additional information